

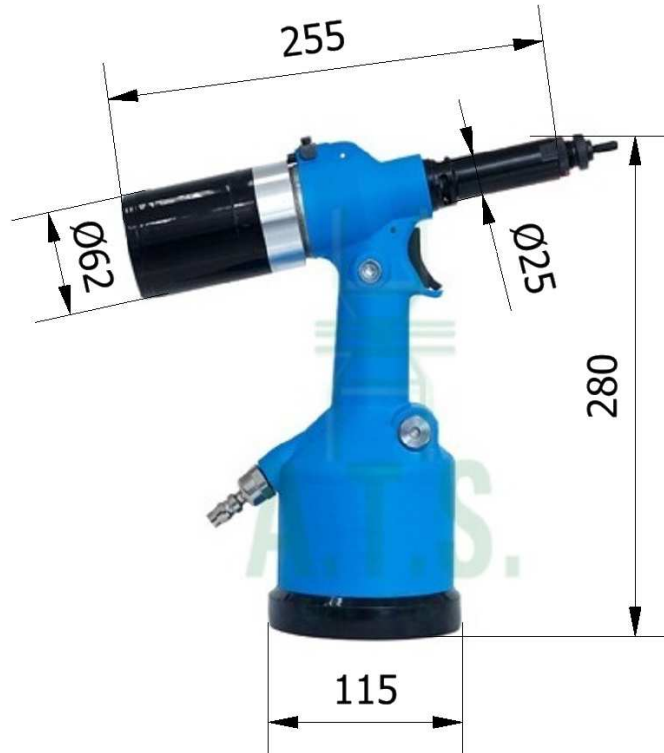


DATA SHEET HYDROPNEUMATIC
TOOL ATSRL312 FOR RIVET NUTS
FROM M3 TO M12

DATA SHEET HYDROPNEUMATIC TOOL
ATSRL312 FOR RIVET NUTS FROM M3 TO M12

UNI EN ISO 9001:2015 REG.3023/A
CERTIFIED COMPANY

HYDROPNEUMATIC TOOL ATSRL312 FOR RIVET NUTS FROM M3 TO M12



Air Pressure: 5 – 7 Bar
Max Strength (N): 19.100 (6 Bar)
Stroke: 7mm
Weight: 2,47Kg
Options: Extended head
Options: Extended head, tie rod for blind rivets bolts

M	Aluminium	Steel	Stainless Steel	Blind Rivet Bolts
M3	•	•	•	
M4	•	•	•	
M5	•	•	•	•
M6	•	•	•	•
M8	•	•	•	•
M10	•	•	•	
M12	•	•	•	

